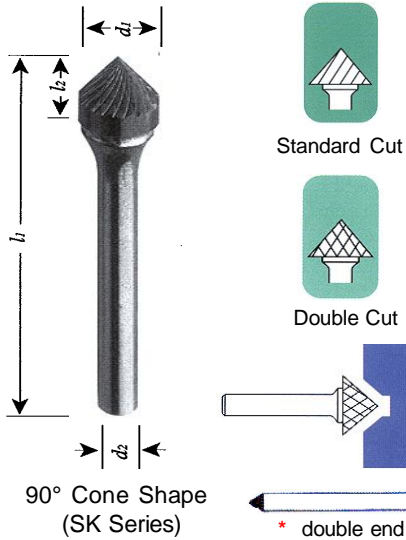


"IMCO" CARBIDE BURRS - USA

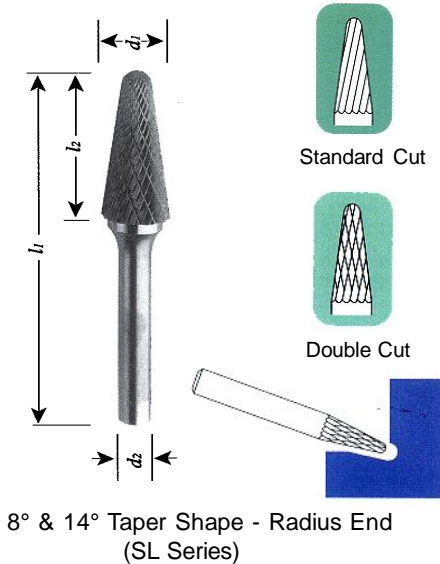
NO. S 98-10 "IMCO" CARBIDE BURRS - 90° CONE SHAPE (SK)



Item No.	Model No.	Code No.	d ₂ Shank Dia. (mm)	d ₁ Cutter Dia. (mm)	l ₂ Cutter Length (mm)	l ₁ Overall Length (mm)	Price (pc)
Standard Cut							
098-10-606SK	SK-1M	* 60526	6	6	3	50	
098-10-6095SK	SK-3M	60527	6	9.5	4.7	52	
098-10-6127SK	SK-5M	60528	6	12.7	6.3	53	
Double Cut							
098-10-D606SK	SK-1M	* 60550	6	6	3	50	
098-10-D6095SK	SK-3M	60551	6	9.5	4.7	52	
098-10-D6127SK	SK-5M	60552	6	12.7	6.3	53	

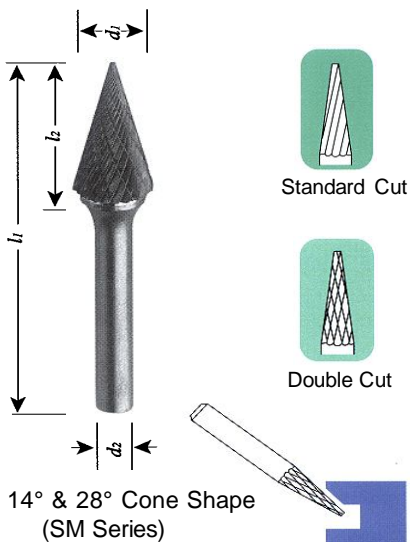
* comes in double end

NO. S 98-11 "IMCO" CARBIDE BURRS - TAPER SHAPE RADIUS END (SL)



Item No.	Model No.	Code No.	d ₂ Shank Dia. (mm)	d ₁ Cutter Dia. (mm)	l ₂ Cutter Length (mm)	l ₁ Overall Length (mm)	Included Angle	Price (pc)
Standard Cut								
098-11-303SL	SL-42M	60441	3	3	12.7	38	8°	
098-11-606SL	SL-1M	60443	6	6	16	50	14°	
098-11-608SL	SL-2M	60444	6	8	22	66	14°	
098-11-6095SL	SL-3M	60445	6	9.5	27	71	14°	
098-11-6127SL	SL-4M	60446	6	12.7	28	72	14°	
Double Cut								
098-11-D303SL	SL-42M	60460	3	3	12.7	38	8°	
098-11-D606SL	SL-1M	60462	6	6	16	50	14°	
098-11-D608SL	SL-2M	60463	6	8	22	66	14°	
098-11-D6095SL	SL-3M	60464	6	9.5	27	71	14°	
098-11-D6127SL	SL-4M	60465	6	12.7	28	72	14°	

NO. S 98-12 "IMCO" CARBIDE BURRS - CONE SHAPE (SM)



Item No.	Model No.	Code No.	d ₂ Shank Dia. (mm)	d ₁ Cutter Dia. (mm)	l ₂ Cutter Length (mm)	l ₁ Overall Length (mm)	Included Angle	Price (pc)
Standard Cut								
098-12-303SM	SM-42M	60486	3	3	11	38	14°	
098-12-3063SM	SM-51M	60489	3	6.3	12.7	50	22°	
098-12-606SM	SM-2M	60491	6	6	19	50	14°	
098-12-6095SM	SM-4M	60493	6	9.5	16	60	28°	
098-12-6127SM	SM-5M	60494	6	12.7	22	66	28°	
Double Cut								
098-12-D303SM	SM-42M	60497	3	3	11	38	14°	
098-12-D3063SM	SM-51M	60500	3	6.3	12.7	50	22°	
098-12-D606SM	SM-2M	60502	6	6	19	50	14°	
098-12-D6095SM	SM-4M	60504	6	9.5	16	60	28°	
098-12-D6127SM	SM-5M	60505	6	12.7	22	66	28°	