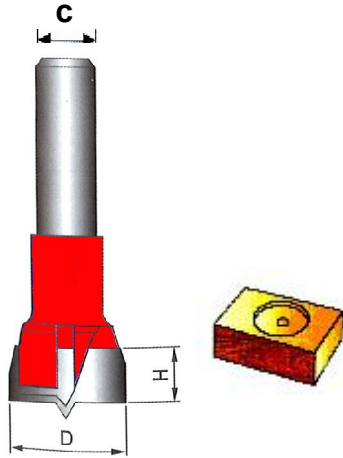


"G-TECH" TUNGSTEN CARBIDE ROUTER BITS - China



NO. S 92-15 "G-TECH" TUNGSTEN CARBIDE HINGE BORING BIT

Item No.	C Shank (inch)	D Cutting Dia. (inch)	H Cutting Thickness (mm)	Price (pc)
092-15-HB35	1/2	1-3/8	15.5	

NO. S 92-51 "G-TECH" 12-PIECE 1/4" SHANK TUNGSTEN CARBIDE ROUTER BIT SET



Item No.	Type	Cutting Dia. (inch)	Radius (inch)	Price (set)
092-51-RB12	<u>Contents</u>			
	Straight Bit	1/4"		
	Straight Bit	1/2"		
	Straight Bit	5/8"		
	90° "V" Grooving Bit	1/2"		
	Dovetail Bit	1/2"		
	45° Chamfer Bit	1-1/4"		
	Flush Trim Bit	1/2"		
	Round Over Bit		1/4	
	Round Over Bit		3/8	
	Core Box Bit		1/4	
	Cove Bit		1/4	
Roman Ogee Bit		5/32		