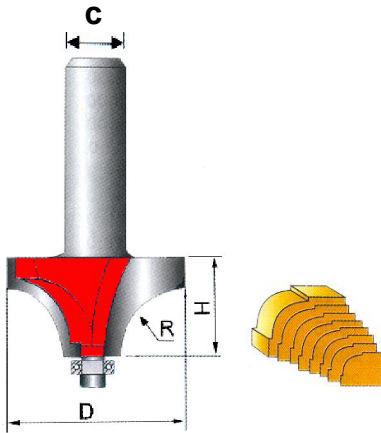


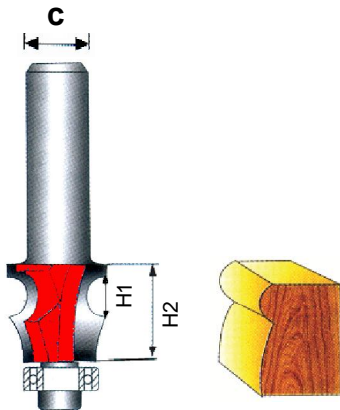
# "G-TECH" TUNGSTEN CARBIDE ROUTER BITS - China

## NO. S 92-11 "G-TECH" TUNGSTEN CARBIDE BEADING BIT

Corner rounding with edge bead.



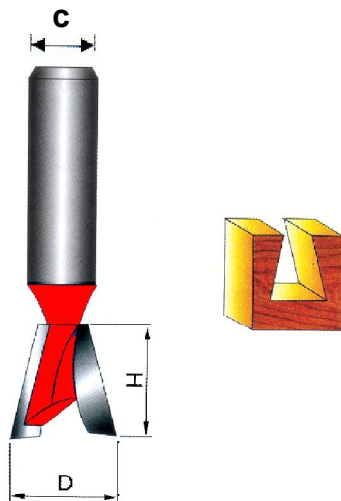
Item No.	C Shank (inch)	R Radius (inch)	D Diameter (inch)	H Cutting Thickness (inch)	Price (pc)
092-11-BB20300	1/4	1/8	3/4	1/2	
092-11-BB20400	1/4	5/32	13/16	1/2	
092-11-BB20480	1/4	3/16	7/8	1/2	
092-11-BB20635	1/4	1/4	1	1/2	
092-11-BB20800	1/4	5/16	1-1/8	1/2	
092-11-BB20950	1/4	3/8	1-1/4	5/8	
092-11-BB21270	1/4	1/2	1-1/2	3/4	
092-11-BB40300	1/2	1/8	3/4	1/2	
092-11-BB40480	1/2	3/16	7/8	1/2	
092-11-BB40635	1/2	1/4	1	1/2	
092-11-BB40800	1/2	5/16	1-1/8	1/2	
092-11-BB40950	1/2	3/8	1-1/4	5/8	
092-11-BB41270	1/2	1/2	1-1/2	3/4	
092-11-BB41600	1/2	5/8	1-3/4	7/8	
092-11-BB41900	1/2	3/4	2	1	
092-11-BB42200	1/2	7/8	2-1/4	1-1/8	
092-11-BB42540	1/2	1	2-1/2	1-1/4	
092-11-BB42900	1/2	1-1/8	2-3/4	1-3/8	
092-11-BB42320	1/2	1-1/4	3	1-1/2	



## NO. S 92-12 "G-TECH" TUNGSTEN CARBIDE DRAWING LINE BIT

Two flutes with ball bearing guide.

Item No.	C Shank (inch)	H1 Cutting Thickness (inch)	H2 Cutting Thickness (mm)	Price (pc)
092-12-DL20300	1/4	1/8	20	
092-12-DL20480	1/4	3/16	20	
092-12-DL20635	1/4	1/4	20	
092-12-DL20800	1/4	5/16	20	
092-12-DL20950	1/4	3/8	20	



## NO. S 92-14 "G-TECH" TUNGSTEN CARBIDE DOVETAIL BIT

Item No.	C Shank (inch)	D Cutting Dia. (inch)	H Cutting Thickness (mm)	Price (pc)
092-14-DB20950	1/4	3/8	10	
092-14-DB21270	1/4	1/2	13	
092-14-DB40950	1/2	3/8	10	
092-14-DB41270	1/2	1/2	13	
092-14-DB41600	1/2	5/8	16	
092-14-DB41900	1/2	3/4	20	