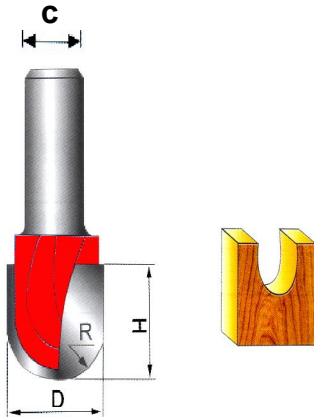


"G-TECH" TUNGSTEN CARBIDE ROUTER BITS - China

NO. S 92-8 "G-TECH" TUNGSTEN CARBIDE ROUND NOSE BIT

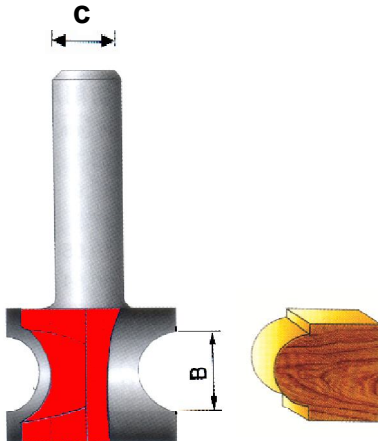
The up-sheared angle lifts chips clear of the cut and give a perfect radius cut with no fuzzing.



| Item No. | C Shank (inch) | D Diameter (inch) | R Radius (inch) | H Cutting Thickness (mm) | Price (pc) |
|----------------|----------------------|-------------------------|-----------------------|-----------------------------------|---------------|
| 092-08-RN20300 | 1/4 | 1/8 | 1/16 | 19.6 | |
| 092-08-RN20480 | 1/4 | 3/16 | 3/32 | 19.6 | |
| 092-08-RN20635 | 1/4 | 1/4 | 1/8 | 19.6 | |
| 092-08-RN20950 | 1/4 | 3/8 | 3/16 | 19.6 | |
| 092-08-RN21270 | 1/4 | 1/2 | 1/4 | 19.6 | |
| 092-08-RN21600 | 1/4 | 5/8 | 5/16 | 19.6 | |
| 092-08-RN21900 | 1/4 | 3/4 | 3/8 | 19.6 | |
| 092-08-RN40950 | 1/2 | 3/8 | 3/16 | 19.6 | |
| 092-08-RN41270 | 1/2 | 1/2 | 1/4 | 19.6 | |
| 092-08-RN41600 | 1/2 | 5/8 | 5/16 | 19.6 | |
| 092-08-RN41900 | 1/2 | 3/4 | 3/8 | 19.6 | |

NO. S 92-9 "G-TECH" TUNGSTEN CARBIDE HALF ROUND BIT

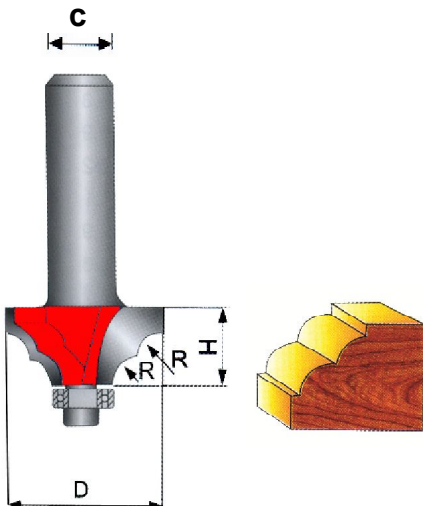
For half round shapes and board edge forming.



| Item No. | C Shank (inch) | B Cutting Thickness (inch) | Price (pc) |
|----------------|----------------------|-------------------------------------|---------------|
| 092-09-HR20480 | 1/4 | 3/16 | |
| 092-09-HR20635 | 1/4 | 1/4 | |
| 092-09-HR20950 | 1/4 | 3/8 | |
| 092-09-HR21270 | 1/4 | 1/2 | |
| 092-09-HR40635 | 1/2 | 1/4 | |
| 092-09-HR40950 | 1/2 | 3/8 | |
| 092-09-HR41270 | 1/2 | 1/2 | |
| 092-09-HR41600 | 1/2 | 5/8 | |
| 092-09-HR41900 | 1/2 | 3/4 | |
| 092-09-HR42200 | 1/2 | 7/8 | |
| 092-09-HR42540 | 1/2 | 1 | |
| 092-09-HR43200 | 1/2 | 1-1/4 | |
| 092-09-HR43800 | 1/2 | 1-1/2 | |

NO. S 92-10 "G-TECH" TUNGSTEN CARBIDE DOUBLE ROUND BIT

Two flutes with ball bearing guide.



| Item No. | C Shank (inch) | R Radius (inch) | D Cutting Dia (mm) | H Cutting Thickness (mm) | Price (pc) |
|----------------|----------------------|-----------------------|-----------------------------|-----------------------------------|---------------|
| 092-10-DR20400 | 1/4 | 5/32 | 20.93 | 7.13 | |
| 092-10-DR20480 | 1/4 | 3/16 | 22.50 | 7.93 | |
| 092-10-DR20635 | 1/4 | 1/4 | 25.70 | 9.52 | |
| 092-10-DR40400 | 1/2 | 5/32 | 20.93 | 7.13 | |
| 092-10-DR40480 | 1/2 | 3/16 | 22.50 | 7.93 | |
| 092-10-DR40635 | 1/2 | 1/4 | 25.70 | 9.52 | |