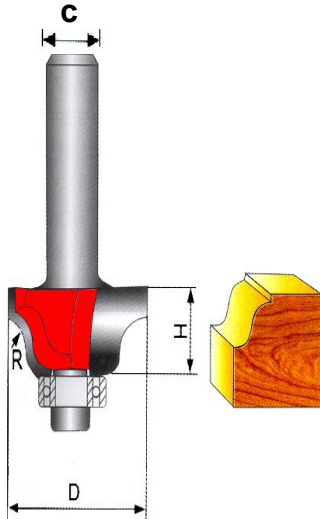


"G-TECH" TUNGSTEN CARBIDE ROUTER BITS - China



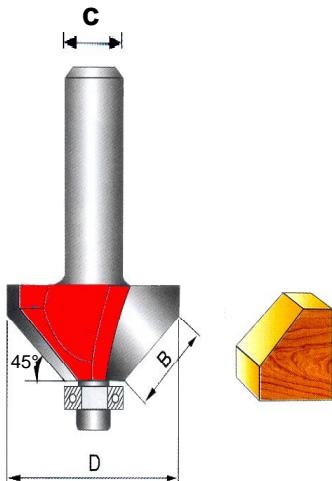
NO. S 92-5 "G-TECH" TUNGSTEN CARBIDE ROMAN OGEE BIT

Used for decorative moldings. Complete with ball bearing guide.

Item No.	C Shank (inch)	R Radius (inch)	D Diameter (mm)	H Cutting Thickness (mm)	Price (pc)
092-05-RO20300	1/4	1/8	19.0	8.00	
092-05-RO20400	1/4	5/32	27.0	12.0	
092-05-RO20480	1/4	3/16	22.5	8.00	
092-05-RO20635	1/4	1/4	25.7	9.70	
092-05-RO20800	1/4	5/16	28.9	11.5	
092-05-RO20950	1/4	3/8	32.0	14.0	
092-05-RO40800	1/2	5/16	28.9	11.5	
092-05-RO40950	1/2	3/8	32.0	14.0	
092-05-RO41270	1/2	1/2	38.2	18.2	

NO. S 92-6 "G-TECH" TUNGSTEN CARBIDE 45° CHAMFER BIT

Used for 45° chamfer. Complete with ball bearing guide.

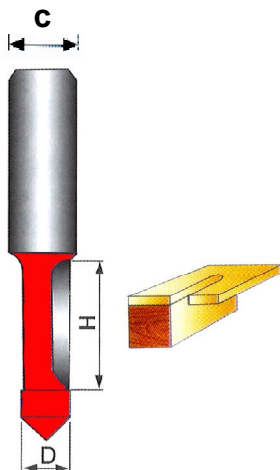


Item No.	C Shank (inch)	B Bevel Lgth (inch)	D Diameter (mm)	Price (pc)
092-06-CB20635	1/4	1/4	21.98	
092-06-CB20950	1/4	3/8	26.50	
092-06-CB21270	1/4	1/2	30.96	
092-06-CB21600	1/4	5/8	35.50	
092-06-CB21900	1/4	3/4	40.00	
092-06-CB22540	1/4	1	48.90	
092-06-CB40950	1/2	3/8	26.50	
092-06-CB41270	1/2	1/2	30.96	
092-06-CB41600	1/2	5/8	35.50	
092-06-CB41900	1/2	3/4	40.00	
092-06-CB42200	1/2	7/8	44.40	
092-06-CB42540	1/2	1	48.90	
092-06-CB43200	1/2	1-1/4	57.90	

NO. S 92-7 "G-TECH" TUNGSTEN CARBIDE PANEL PILOT BIT WITH DRILL POINT

Pilot drills drill through for self starting blind hole routine.

Pilot acts as guide for template work.



Item No.	C Shank (inch)	D Cutting Dia. (inch)	H Cutting Thickness (mm)	No.of Flute	Price (pc)
092-07-PP20635	1/4	1/4	20	1	
092-07-PP20800	1/4	5/16	24	1	
092-07-PP20950	1/4	3/8	24	1	
092-07-PP21270	1/4	1/2	30	1	
092-07-PP40635	1/2	1/4	20	1	
092-07-PP40800	1/2	5/16	24	1	
092-07-PP40950	1/2	3/8	24	1	
092-07-PP41270	1/2	1/2	30	1	