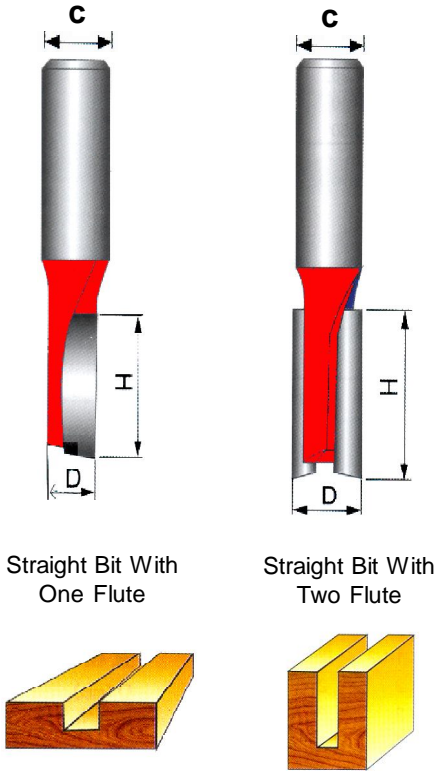


"G-TECH" TUNGSTEN CARBIDE ROUTER BITS - China

NO. S 92-1 "G-TECH" TUNGSTEN CARBIDE ROUTER STRAIGHT BIT

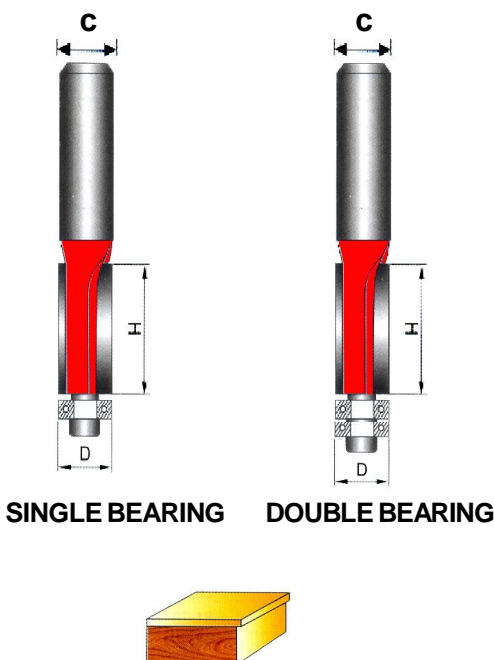
Made of finest carbide tips for every routine application. Straight bit.



Item No.	C Shank (inch)	D Tip (inch)	H Cutting Thickness (mm)	No. of Flute	Price (pc)
092-01-20300	1/4	1/8	13.0	1	
092-01-20400	1/4	5/32	13.0	1	
092-01-20480	1/4	3/16	13.0	1	
092-01-20635	1/4	1/4	20.0	2	
092-01-20635L	1/4	1/4	25.0	2	
092-01-20800	1/4	5/16	25.0	2	
092-01-20950	1/4	3/8	25.0	2	
092-01-20950L	1/4	3/8	38.1	2	
092-01-21110	1/4	7/16	25.0	2	
092-01-21270	1/4	1/2	25.0	2	
092-01-21600	1/4	5/8	30.0	2	
092-01-40635	1/2	1/4	30.0	2	
092-01-40800	1/2	5/16	30.0	2	
092-01-40950	1/2	3/8	(Temp 25) 30.0	2	
092-01-41110	1/2	7/16	(Temp 20) 30.0	2	
092-01-41270	1/2	1/2	30.0	2	
092-01-41270L	1/2	1/2	50.8	2	
092-01-41600	1/2	5/8	30.0	2	
092-01-41900	1/2	3/4	30.0	2	
092-01-42200	1/2	7/8	30.0	2	
092-01-42540	1/2	1	25.0	2	
092-01-43200	1/2	1-1/4	30.0	2	

NO. S 92-2 "G-TECH" TUNGSTEN CARBIDE ROUTER STRAIGHT BIT WITH BEARING GUIDE

Similar to TCT straight bit but comes with ball bearing guide.



Item No.	C Shank (inch)	D Tip (inch)	H Cutting Thickness (mm)	Price (pc)
Single Bearing				
092-02-B20635	1/4	1/4	20.0	
092-02-B20635L	1/4	1/4	38.0	
092-02-B20800	1/4	5/16	25.0	
092-02-B20950	1/4	3/8	25.0	
092-02-B20950L	1/4	3/8	38.0	
092-02-B20950S	1/4	3/8	13.0	
092-02-B21270	1/4	1/2	25.0	
092-02-B40635	1/2	1/4	20.0	
092-02-B40800	1/2	5/16	(Temp 25) 30.0	
092-02-B40950	1/2	3/8	(Temp 20) 30.0	
092-02-B40950S	1/2	3/8	13.0	
092-02-B41270	1/2	1/2	30.0	
092-02-B41270L	1/2	1/2	50.8	
092-02-B41270S	1/2	1/2	13.0	
092-02-B41600	1/2	5/8	(Temp 25) 30.0	
Double Bearing				
092-02-DB20635	1/4	1/4	20.0	
092-02-DB20800	1/4	5/16	25.0	
092-02-DB20950	1/4	3/8	25.0	
092-02-DB21270	1/4	1/2	30.0	
092-02-DB41270	1/2	1/2	(Temp 20) 30.0	